

allPIXA SWIR Line Scan Cameras

State-of-the-art InGaAs sensor



The allPIXA SWIR is the first short-wave infrared (SWIR) linescan camera in Chromasens' allPIXA family. The state-of-the-art InGaAs sensor in a compact footprint allows its integration for multiple machine vision applications.

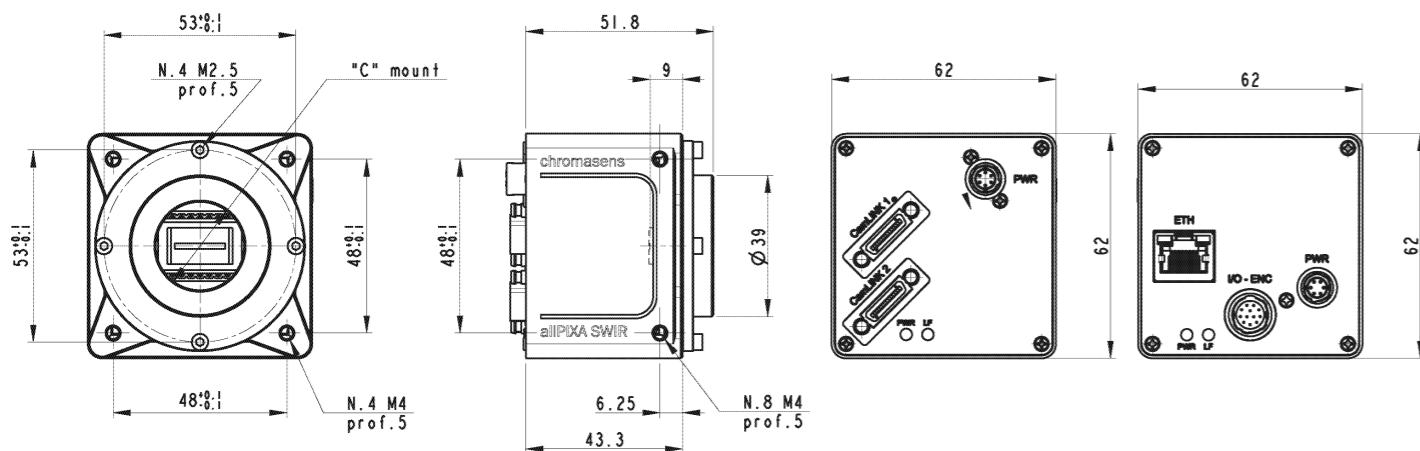
It offers an uncooled sensor with 1k resolution and 12.5 μm pixel size for high resolution, high sensitivity and a line rate of 40 kHz. GenICam compliant GigE Vision and CameraLink interfaces allow an easy integration into existing machine vision systems.

Camera overview

- ▶ Linescan InGaAs sensor with resolution of 1k and 12.5 μm of pixel size
- ▶ SWIR spectrum: from 950 to 1700 nm
- ▶ High speed: up to 40 kHz
- ▶ GigE Vision or CameraLink interface
- ▶ Internal FPGA for image pre-processing
- ▶ Compact size of 62 x 62 x 52 mm

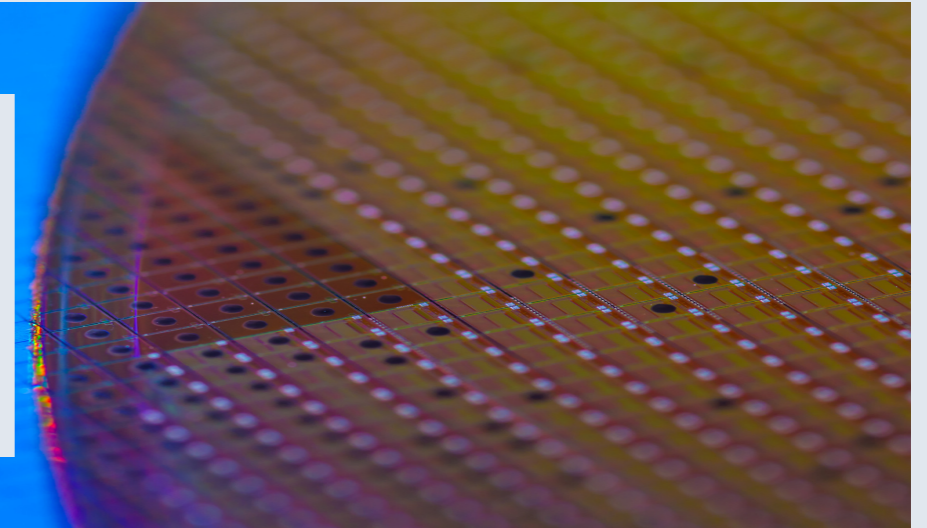
Functionality / Intelligence

- ▶ Horizontal and vertical binning to increase responsivity or bin the resolution to 512 pixel resolution with 25 μm pixel size
- ▶ Adjustable CameraLink clock
- ▶ Rigorously tested with all popular frame grabbers



Applications

- ▶ Sorting
- ▶ Recycling
- ▶ Semiconductor inspection
- ▶ Solar panel inspection
- ▶ Moisture detection
- ▶ Chemical identification
- ▶ Anti-counterfeiting
- ▶ Medical / Biomedical



Solar panel

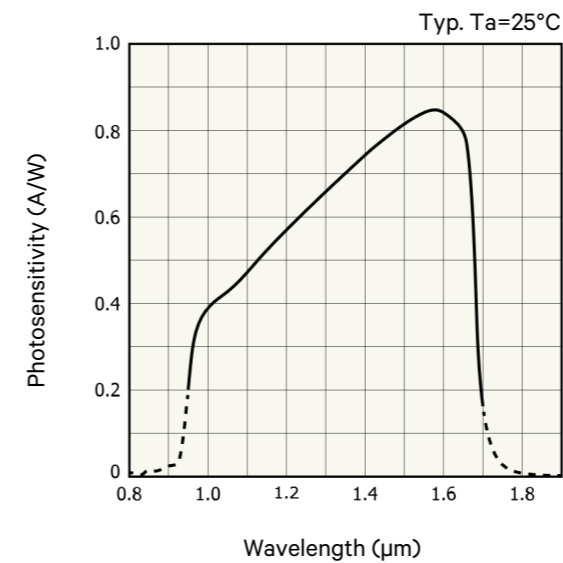


Sorting



Recycling

Spectral sensitivity:



Specifications:

Sensor	Linear InGaAs (uncooled)
Resolution	1024 x 1 pixel
Active pixel size	12.5 μm x 12.5 μm
Spectral band	950 nm to 1700 nm
Image size	12.8 x 0.0125 mm
Lens Mount	C-Mount (others on request)
Interface	CameraLink Base or GigE Vision
Order Codes	CameraLink: CP000700-IR-01K-CL-001 GigE: CP000700-IR-01K-GE-001
Max. line rate	40 kHz
Camera link pixel clock	32.5 / 65 MHz
Sync	External trigger / Software trigger signal / Free run
Data format	8, 10, 12 Bit
Digital inputs	3x RS422 (only GigE version)
Digital outputs	2x RS422 (only GigE version)
Power supply	12 to 24 V DC $\pm 10\%$
Power consumption	6W
Dimensions	L=62 mm, H=62 mm, D=52 mm
Weight	170 gr
Operating temperature	-10°C ... +50°C
Protection Class	IP40
Conformity	2004/30/EU EN 61326-1:2013 EN 62311:2008 RoHS

Customized Cameras and Imaging Systems
Chromasens offers fully customized light, camera and scanner solutions. All systems are 100% adaptable to customer requirements.