



B4842



IMPERX: Technically superior products, full tech support, rapid-response customer care. "Bobcat 2.0" adds many new features, lens control, more memory and enhanced image quality. Each easy to use Bobcat is supported by IMPERX professionals.

INTERFACES AVAILABLE:

Resolution
 Sensor
 Sensor Format

Pixel Size
 Frame Rate Standard Clock
 Frame Rate Overclocked
 Maximum Frame Rate
 Minimum S/N Ratio
 Output Format

Analog Gain Control
 Black Level Control
 Digital Gain and Offset
 RGB Gain and Offset
 White Balance
 Shutter Speed
 Exposure Control
 Long Integration
 Regions of Interest (ROI)
 Binning H/V
 Trigger Inputs

Trigger Options

Trigger Modes

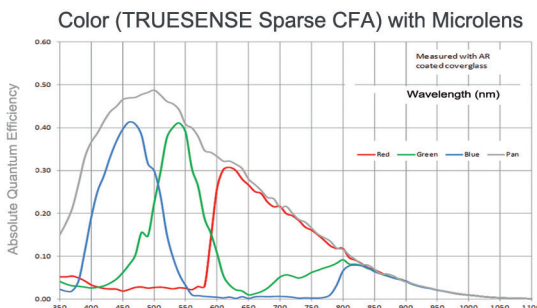
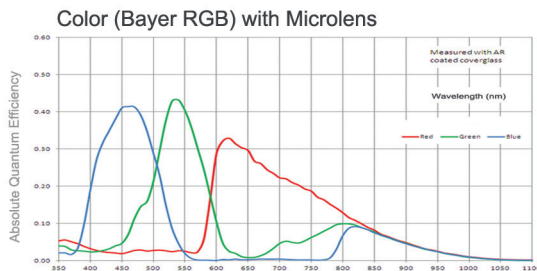
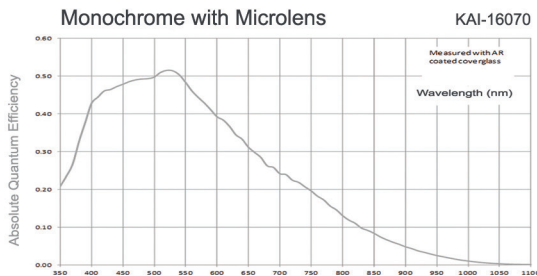
Double Trigger (PIV) Interframe
 External Inputs/Outputs
 Strobe Output
 RS232 Interface
 Pulse Generator
 Image Overlay
 Image Enhancement

Internal DDR Memory
 Gamma Correction
 Data Corrections

Minimum Illumination
 Lens Mount

Iris, Zoom Focus Control
 Supply Input Range
 Power Consumption
 Size – Width/Height
 Size – Length
 Weight
 Vibration, Shock
 Environmental
 Humidity
 MTBF
 Regulatory

Camera Link® Base or Medium, CoaXPress
 4864 x 3232 (std.), 4880 x 3265(max.)
 KAI-16070, CCD
 36.11mm (H) x 24.09mm (V) 43.2mm diagonal
 43.2mm optical format
 7.4 μ m
 30 MHz / 5.9 fps
 40 MHz / 7.9 fps
 26 fps
 60dB
 Mono CCD: 8, 10, 12
 Color CCD: 8, 10, 12
 TRUESENSE Sparse CFA
 Manual, Auto: 0 - 36dB 1024 steps
 Manual, 1024 steps
 Manual
 Manual
 Manual, auto, off
 1us/step, 1/125,000 to 1/8 sec (nom)
 Manual, auto, external
 Up to 16 seconds
 7 ROIs, any line to any line, any pixel to any pixel
 1x, 2x, 3x, 4x, 8x (Independent for H & V)
 External (TTL via IN1/IN2), pulse generator, software, computer
 Level, edge, pulse width, internal exposure, up to 16 seconds trigger delay, debounce
 Free-run, standard, double, fast, asynchronous, frame accumulation
 Time: 200 nanoseconds
 2 IN, 2 OUT, user programmable
 2 strobes, programmable position and duration
 Yes, programmable
 Yes, programmable
 Optical center, programmable H & V lines
 Threshold, contrast enhancement, knee correction, horizontal flip, negative image, bit shift (+/- 7 places)
 2Gb (256 MB)
 G=1.0, G=0.45, user upgradeable LUT
 Defective/hot pixel correction (static, dynamic), FFC, black level, vertical smear
 1 Lux, F/ 1.4
 F-Mount (Default), C, M42, EOS, Rodenstock, Custom OEM
 Manual, user programmable (motorized lens, custom)
 12VDC (10V - 15V), 1.5 A inrush
 CLM 7.8 W, CXP-TBD
 60mm (W) x 60mm (H) – Applies to all interfaces
 CLM 53.1mm (L), CXP -TBD
 CLM 369g, CXP -TBD
 100g (20-200) HZ XYZ, 1000g
 -40°C to +85°C Operating, -50°C to +90°C Storage
 10% to 90% non-condensing
 >660,000 hours @ 40°C (Telcordia SR-332)
 FCC 15 part A, CE, RoHS

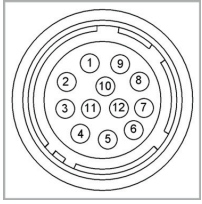


BOBCAT 2.0 B4842 Specifications



Hirose Connectors

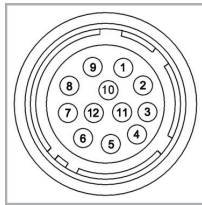
Power and I/O Interface



- | | |
|-------------------|-----------------|
| 1 12V DC Return * | 7 OUT1 Signal |
| 2 +12V DC* | 8 IN1 Signal |
| 3 IRIS VCC | 9 IN2 Signal |
| 4 IRIS Video | 10 IN1/2 Return |
| 5 IRIS Return | 11 Reserved |
| 6 OUT1/2 Return | 12 OUT2 Signal |
- Connector: Hirose HR 10A- 10R- 12PB(71)
*Not connected for CXP

Lens Control/RS232

See manual for PIN information



- | | |
|---------------|-------------|
| 1 IRIS Return | 7 FOCUS + |
| 2 IRIS VCC | 8 ZOOM - |
| 3 IRIS Video | 9 ZOOM + |
| 4 IRIS - | 10 UART_COM |
| 5 IRIS + | 11 UART_RX |
| 6 FOCUS - | 12 UART_TX |
- Connector: Hirose HR 10A- 10R- 12SB(71)
* Canon EOS control available

B4842 Ordering Information

Interfaces available

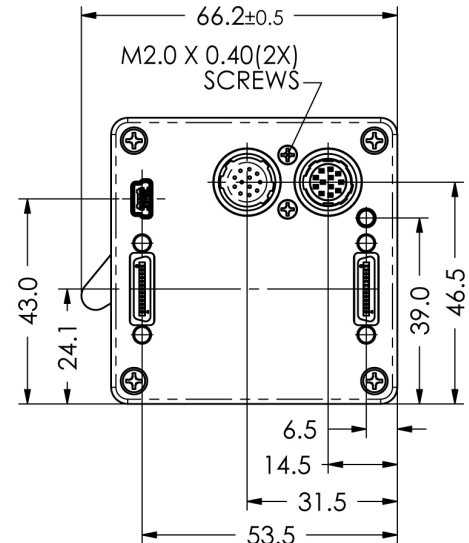
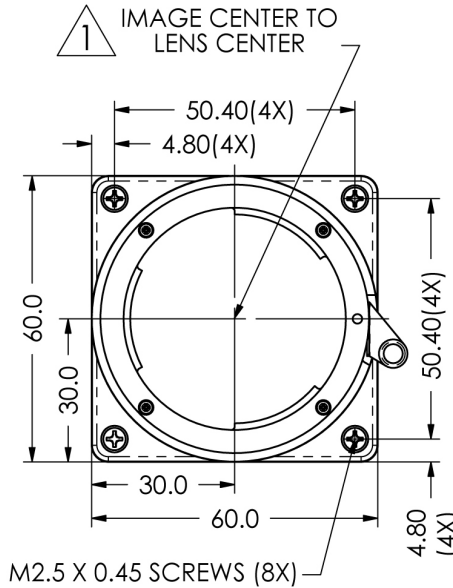
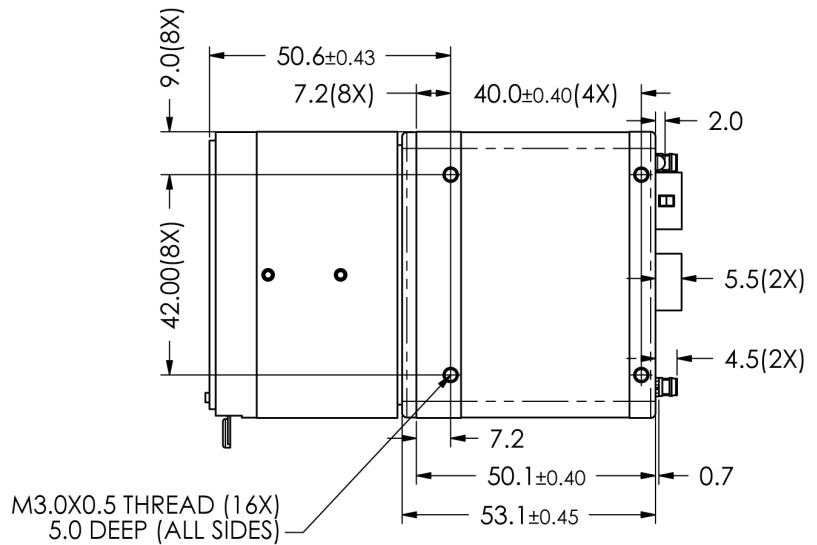
- Camera Link® Medium (CLM)
- CoaXPress (CXP)

Sensor types available

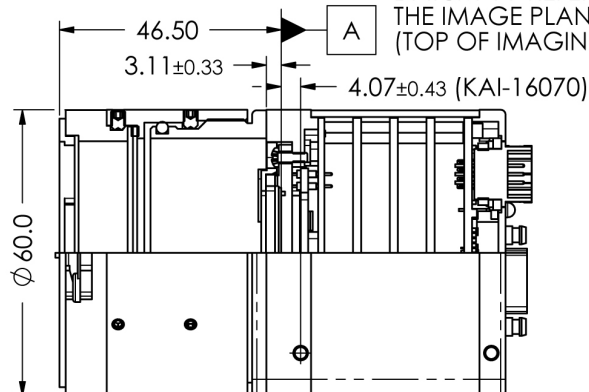
- Monochrome
- Bayer Color
- TRUESENSE Sparse CFA

Accessories (Sold separately)

- PS12v04-Power Supply w/ 1 input and 1 output
- PS12v05-Power Supply (as above) and Video Iris



NOTE:
DATUM "A" REFERS TO
THE IMAGE PLANE
(TOP OF IMAGING DIE)



bobcat-B4842 Rev1