

SPECIFICATIONS

BOBCAT2.0 B1942



IMPERX: Technically superior products, full tech support, rapid-response customer care. "Bobcat 2.0" adds many new features, lens control, more memory and enhanced image quality. Each easy to use Bobcat is supported by IMPERX professionals..

INTERFACES AVAILABLE:

Resolution
Sensor
Sensor Format

Pixel Size
Frame Rate Standard Clock
Frame Rate Overclocked
Maximum Frame Rate
Minimum S/N Ratio
Output Format

Analog Gain Control
Black Level Control
Digital Gain and Offset
RGB Gain and Offset
White Balance
Shutter Speed
Exposure Control
Long Integration
Regions of Interest (ROI)
Binning H/V
Trigger Inputs

Trigger Options

Trigger Modes

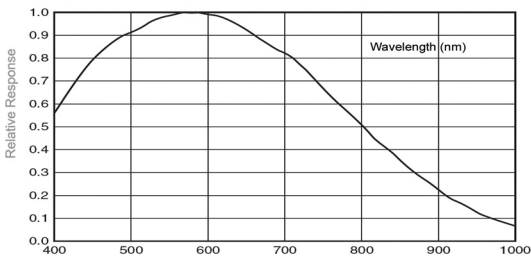
Double Trigger (PIV) Interframe
External Inputs/Outputs
Strobe Output
RS232 Interface
Pulse Generator
Image Overlay
Image Enhancement

Internal DDR Memory
Gamma Correction
Data Corrections

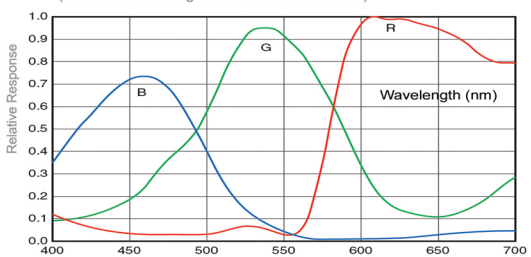
Minimum Illumination
Lens Mount
Video Iris Control
Iris, Zoom Focus Control
Supply Input Range
Power Consumption
Size – Width/Height
Size – Length
Weight
Vibration, Shock
Environmental
Humidity
MTBF
Regulatory

Camera Link® Base or Medium, CoaXPress
1940 x 1460
ICX-674 EXview HAD CCD II
8.81mm (H) x 6.63mm (V) 10.97mm diagonal,
2/3" optical format
4.54 µm
40 MHz / 40 fps
50 MHz / 54 fps
190 fps
60dB
Mono CCD: 8, 10, 12
Color CCD: 8, 10, 12
Manual, Auto: 0 - 36dB 1024 steps
Manual, 1024 steps
Manual
Manual
Manual, auto, off
1µs/step, 1/500,000 to 1/32 sec (nom)
Manual, auto, external
Up to 16 seconds
7 ROIs, any line to any line, any pixel to any pixel
1x, 2x, 3x, 4x, 8x (Independent for H & V)
External (TTL via IN1/IN2), pulse generator,
software, computer
Level, edge, pulse width, internal exposure,
up to 16 seconds trigger delay, debounce
Free-run, standard, double, fast, asynchronous,
frame accumulation
Time: 200 nanoseconds
2 IN, 2 OUT, user programmable
2 strobes, programmable position and duration
Yes, programmable
Yes, programmable
Optical center, programmable H & V lines
Threshold, contrast enhancement, knee correction,
horizontal flip, negative image, bit shift (+/- 7 places)
2Gb (256 MB)
G=1.0, G=0.45, user upgradeable LUT
Defective/hot pixel correction (static, dynamic), FFC,
black level, vertical smear
1 Lux, F/ 1.4
C-Mount
Auto, programmable
Manual, user programmable
12VDC (10V - 15V), 1.5 A inrush
CLM 5.5 W, CXP -TBD
60mm (W) x 60mm (H) – Applies to all interfaces
CLM 53.1mm (L) -TBD, CXP -TBD
CLM 360g, CXP -TBD
100g (20-200) HZ XYZ, 1000g
-40°C to +85°C Operating, -50°C to +90°C Storage
10% to 90% non-condensing
>660,000 hours @ 40°C
FCC 15 part A, CE, RoHS

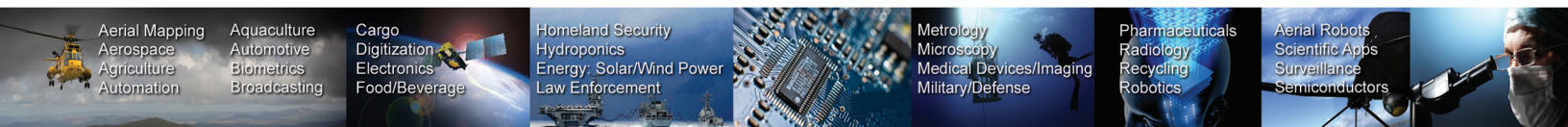
Monochrome with Microlens ICX-674
(Excludes lens & light source characteristics)



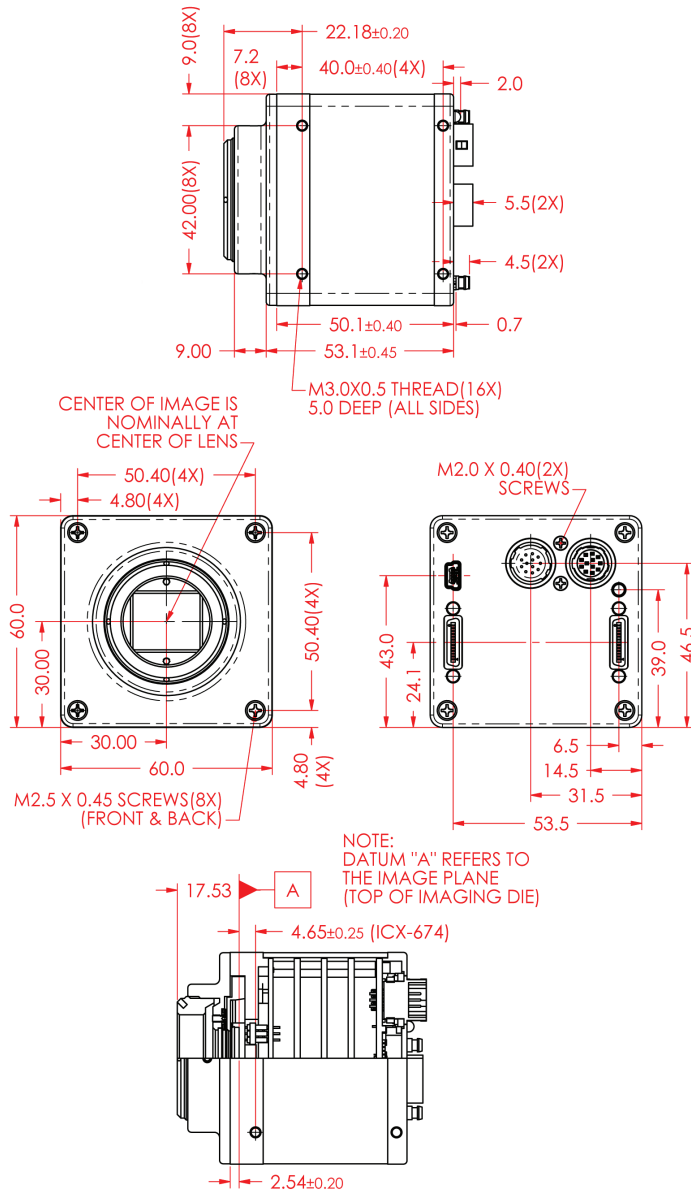
Color with Microlens
(Excludes lens & light source characteristics)



PRELIMINARY

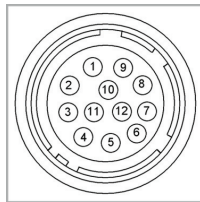


BOBCAT 2.0 B1942 Specifications



Hirose Connectors

Power and I/O Interface

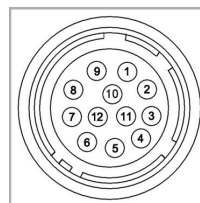


- | | |
|-------------------|-----------------|
| 1 12V DC Return * | 7 OUT1 Signal |
| 2 +12V DC* | 8 IN1 Signal |
| 3 IRIS VCC | 9 IN2 Signal |
| 4 IRIS Video | 10 IN1/2 Return |
| 5 IRIS Return | 11 Reserved |
| 6 OUT1/2 Return | 12 OUT2 Signal |

Connector: Hirose HR 10A- 10R- 12PB(71)
*Not connected for CXP

Lens Control/RS232

See manual for PIN information



- | | |
|---------------|-------------|
| 1 IRIS Return | 7 FOCUS + |
| 2 IRIS VCC | 8 ZOOM - |
| 3 IRIS Video | 9 ZOOM + |
| 4 IRIS - | 10 UART_COM |
| 5 IRIS + | 11 UART_RX |
| 6 FOCUS - | 12 UART_TX |

Connector: Hirose HR 10A- 10R- 12SB(71)

B1942 Ordering Information

Interfaces available

- Camera Link® Medium (CLM)
- CoaXPress (CXP)

Sensor types available

- Monochrome
- Bayer Color

Accessories (Sold separately)

- PS12v04-Power Supply w/ 1 input and 1 output
- PS12v05-Power Supply (as above) and Video Iris

IMPERX

WWW.IMPERX.COM

Camera Link CoaXPress

bobcat-B1942-v2,Rev1