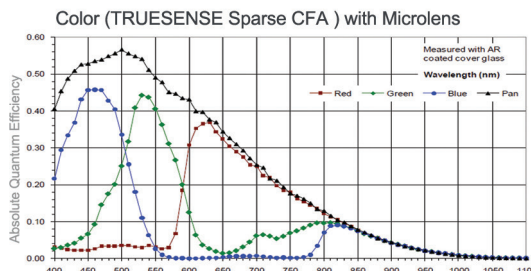
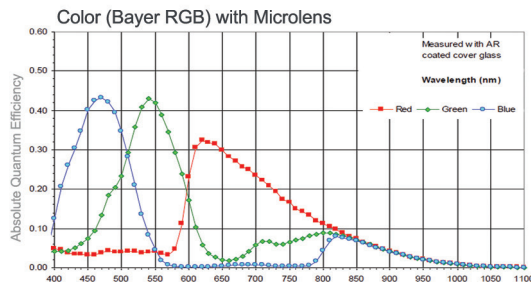
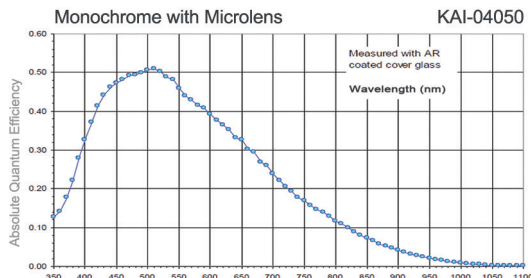




# B2340



**IMPERX:** Technically superior products, full tech support, rapid-response customer care. "Bobcat 2.0" adds many new features, lens control, more memory and enhanced image quality. Each easy to use Bobcat is supported by IMPERX professionals.



## INTERFACES AVAILABLE:

Resolution

Sensor

Sensor Format

Pixel Size

Frame Rate Standard Clock

Frame Rate Overclocked

Maximum Frame Rate

Minimum S/N Ratio

Output Format

Analog Gain Control

Black Level Control

Digital Gain and Offset

RGB Gain and Offset

White Balance

Shutter Speed

Exposure Control

Long Integration

Regions of Interest (ROI)

Binning H/V

Trigger Inputs

Trigger Options

Trigger Modes

Double Trigger (PIV) Interframe

External Inputs/Outputs

Strobe Output

RS232 Interface

Pulse Generator

Image Overlay

Image Enhancement

Internal DDR Memory

Gamma Correction

Data Corrections

Minimum Illumination

Lens Mount

Video Iris Control

Iris, Zoom Focus Control

Supply Input Range

Power Consumption

Size – Width/Height

Size – Length

Weight

Vibration, Shock

Environmental

Humidity

MTBF

Regulatory

Camera Link® Base or Medium, CoaXPress

2336 x 1752 (std.), 2352 x 1768 (max.)

KAI-04050, CCD

12.85mm (H) x 9.64mm (V) 16.06mm diagonal

1.0" optical format

5.5  $\mu$ m

40 MHz / 33 fps

50 MHz / 41 fps

255 fps

60dB

Mono CCD: 8, 10, 12

Color CCD: 8, 10, 12

TRUESENSE Sparse CFA

Manual, Auto: 0 - 36dB 1024 steps

Manual, 1024 steps

Manual

Manual

Manual, auto, off

1us/step, 1/500,000 to 1/32 sec (nom)

Manual, auto, external

Up to 16 seconds

7 ROIs, any line to any line, any pixel to any pixel

1x, 2x, 3x, 4x, 8x (Independent for H &amp; V)

External (TTL via IN1/IN2), pulse generator,

software, computer

Level, edge, pulse width, internal exposure,

up to 16 seconds trigger delay, debounce

Free-run, standard, double, fast, asynchronous,

frame accumulation

Time: 200 nanoseconds

2 IN, 2 OUT, user programmable

2 strobes, programmable position and duration

Yes, programmable

Yes, programmable

Optical center, programmable H &amp; V lines

Threshold, contrast enhancement, knee correction,

horizontal flip, negative image, bit shift (+/- 7 places)

2Gb (256 MB)

G=1.0, G=0.45, user upgradeable LUT

Defective/hot pixel correction (static, dynamic), FFC,

black level, vertical smear

1 Lux, F/ 1.4

C-Mount

Auto, programmable

Manual, user programmable (motorized lens, custom)

12VDC (10V - 15V), 1.5 A inrush

CLM 7.0 W, CXP -TBD

60mm (W) x 60mm (H) – Applies to all interfaces

CLM 53.1mm (L), CXP -TBD

CLM 337g, CXP -TBD

100g (20-200) HZ XYZ, 1000g

-40°C to +85°C Operating, -50°C to +90°C Storage

10% to 90% non-condensing

&gt;660,000 hours @ 40°C (Telcordia SR-332)

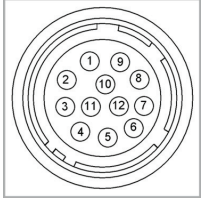
FCC 15 part A, CE, RoHS



WWW.IMPERX.COM

## Hirose Connectors

### Power and I/O Interface



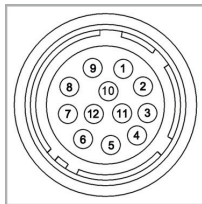
- |                   |                 |
|-------------------|-----------------|
| 1 12V DC Return * | 7 OUT1 Signal   |
| 2 +12V DC*        | 8 IN1 Signal    |
| 3 IRIS VCC        | 9 IN2 Signal    |
| 4 IRIS Video      | 10 IN1/2 Return |
| 5 IRIS Return     | 11 Reserved     |
| 6 OUT1/2 Return   | 12 OUT2 Signal  |

Connector: Hirose HR 10A- 10R- 12PB(71)

\*Not connected for CXP

### Lens Control/RS232

See manual for PIN information



- |               |             |
|---------------|-------------|
| 1 IRIS Return | 7 FOCUS +   |
| 2 IRIS VCC    | 8 ZOOM -    |
| 3 IRIS Video  | 9 ZOOM +    |
| 4 IRIS -      | 10 UART_COM |
| 5 IRIS +      | 11 UART_RX  |
| 6 FOCUS -     | 12 UART_TX  |

Connector: Hirose HR 10A- 10R- 12SB(71)

## B2340 Ordering Information

### Interfaces available

Camera Link® Medium (CLM)

CoaXPress (CXP)

### Sensor types available

Monochrome

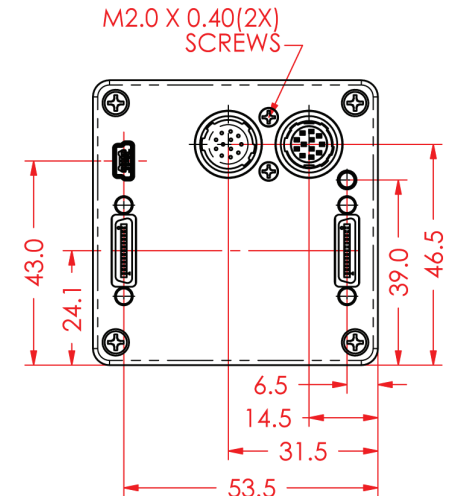
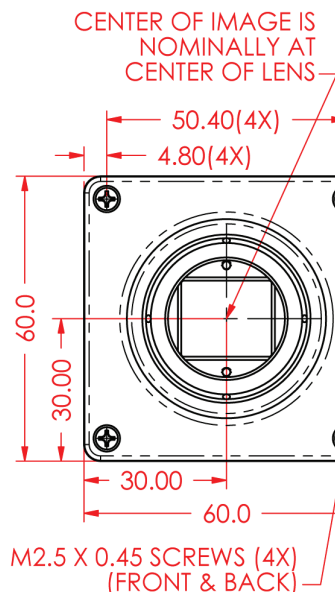
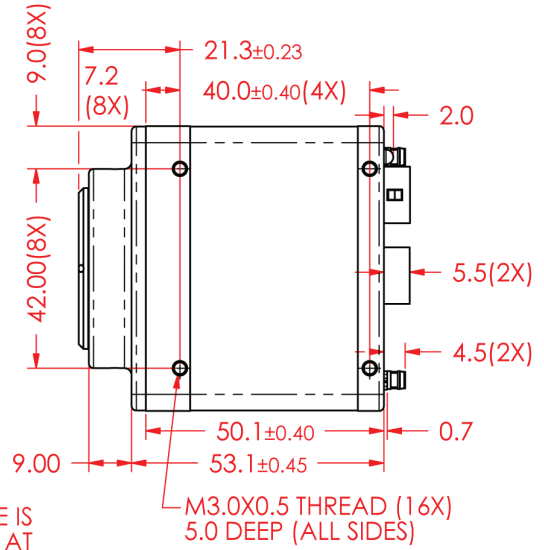
Bayer Color

TRUESENSE Sparse CFA

### Accessories (Sold separately)

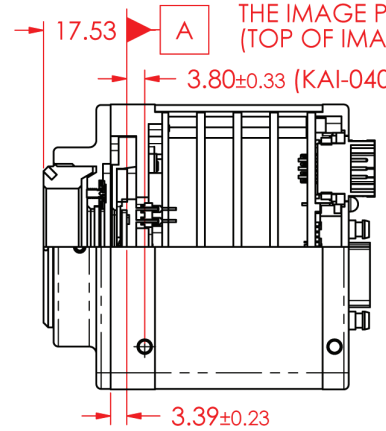
PS12v04-Power Supply w/ 1 input and 1 output

PS12v05-Power Supply (as above) and Video Iris



CENTER OF IMAGE IS NOMINALLY AT CENTER OF LENS

NOTE: DATUM "A" REFERS TO THE IMAGE PLANE (TOP OF IMAGING DIE)



bobcat-B2340.Rev1