

LED PoE Ring Light



The LED Power-over-Ethernet (POE) Light Ring is the latest innovation from Imperx to simplify LED installation with minimal cabling. Using a patent-pending design, Ring Light power is derived from a POE arrangement in which power and data are passed through to an adjoining POE camera. While the LED POE Ring Light can be used with any POE camera, Bobcat cameras have a built-in pulse generator function that can be used to provide pwm intensity control.

Specifications

General

Camera Power Output
Electrical Input

Current
Strobe Input
Signal Compatibility
Operating Modes
Camera Compatibility

Local Control

Remote Control
Peak Light Intensity
Working Distance
Connectors

IP Rating

Housing Material
Operation Temperature
Storage Temperature
Dimensions - Outside
Dimensions - Inside Opening
Weight
Regulatory
Available Lighting Colors

LED Ring Light with PoE Pass Thru or DC power input

20Vdc (+/- .5V) @ .5A maximum
PoE (15W), PoE+ (25W), EXT adapter 20Vdc (30W - 40W)

300mA@48V, 600mA@48V, .1.3A@20Vdc

TTL and open collector (NPN) compatible

DC to 10kHz (pwm mode), active low (off)

Continuous, strobe or pwm dimming

All Bobcat C-mount cameras. Bobcat has built in PWM Control

Rotary switch, adjustable from 20% to 100% (15 steps)

Strobe/pwm input for 0 to 100% dimming

15000 lux @ .3m, 10,000 lux @ .5m

.5m to 5m

RJ45 for PoE connection, RJ45 for camera data, position connector for remote control, connector Weidmüller OMNIMATE B2L 3.50F 6-pin. camera power and user-supplied external power supply if PoE is not used.

IP50

Aluminum

-20C to +50C

-20C to +70C

86.0 x 34.8 x 130.0

43.00 diagonal

285g

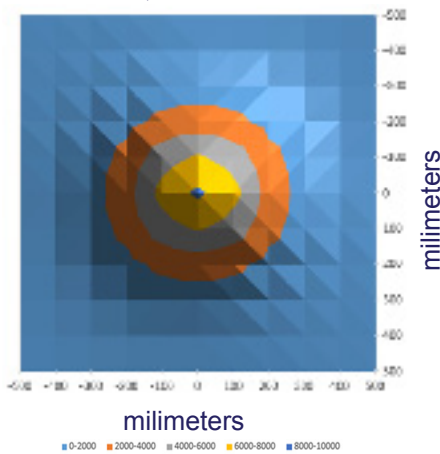
CE, FCC

WHT-cool, WHT-warm, RED

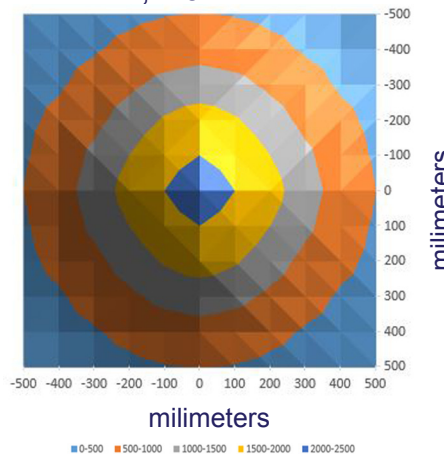
Max Power	LED	Camera	System
PoE	6 W	6 W	15 W
PoE +	12 W	10 W	25 W
EXT	15 W	10 W	30 W

Light Distribution

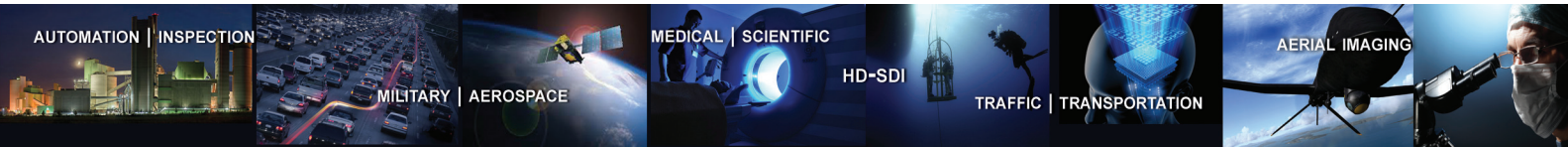
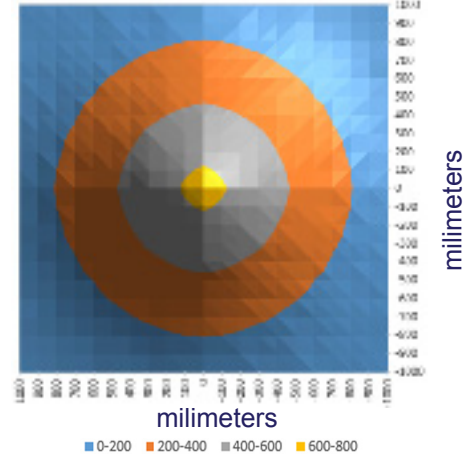
.5m, Max PWR



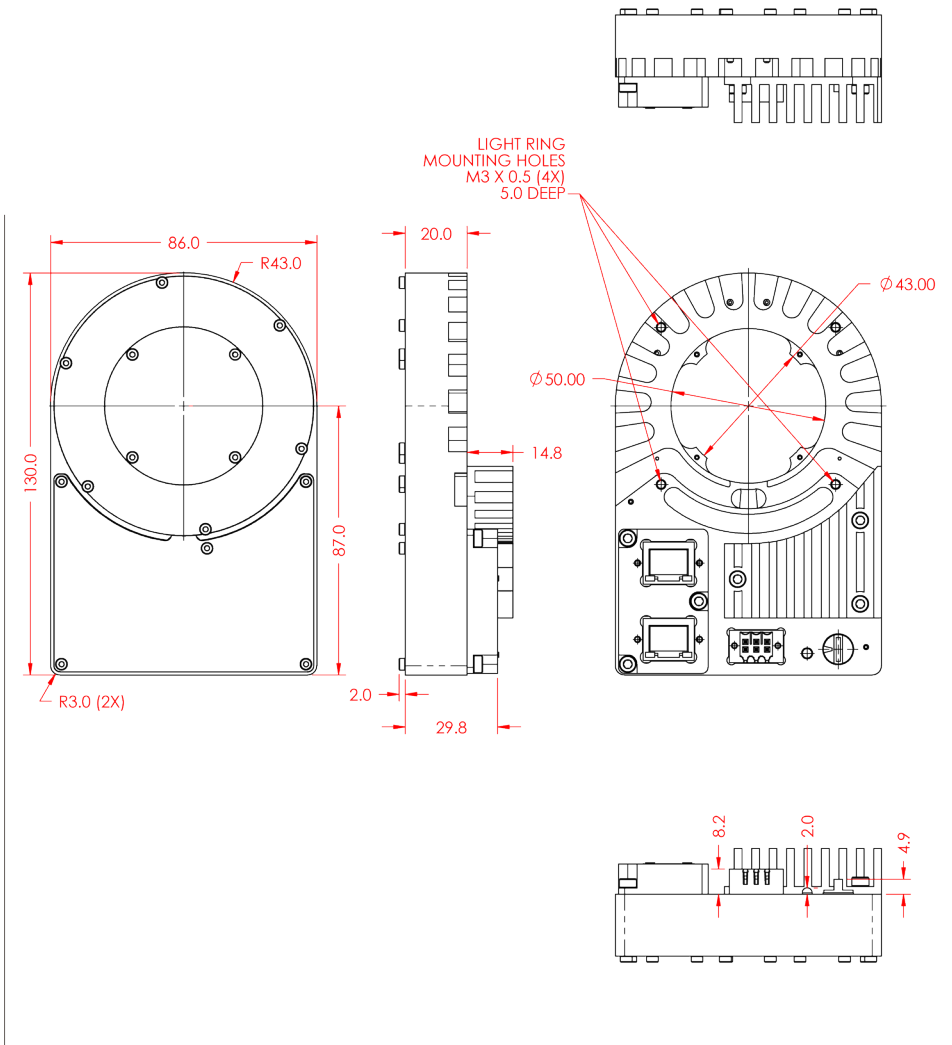
1m, Max PWR



2m, Max PWR



LED Ring Light Mechanical Drawings



Ordering Information

Light Type
LED

Body Type
Ring - (R)

Size
90mm - (090)

LED Color/Spectrum
White - 5600K - (W)
Red - 627 nm - (R)

Color Option
Standard - (0)
Neutral White 4100K - (1)

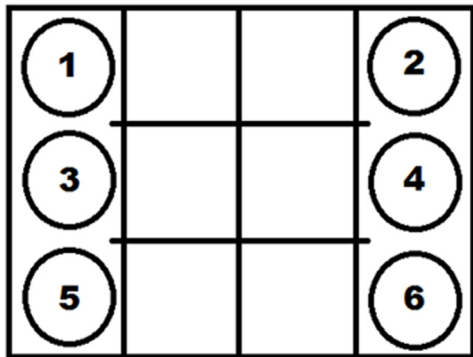
Power and Control LED Light
GEV PoE - (G)

LED Lens Angle
Medium (Standard) - (M)
Narrow - (N)
No Lens (Open LED) - (O)

Diffuser
Matte (Standard) - (0)
Clear - (1)

Weidmüller OMNIMATE B2L 3.50F 6-pin Connector

LED Ring Light Mounting option with Bobcat Camera



1. Camera Voltage
2. Ground
3. Control
4. Ground
5. V Power Supply
6. Ground

